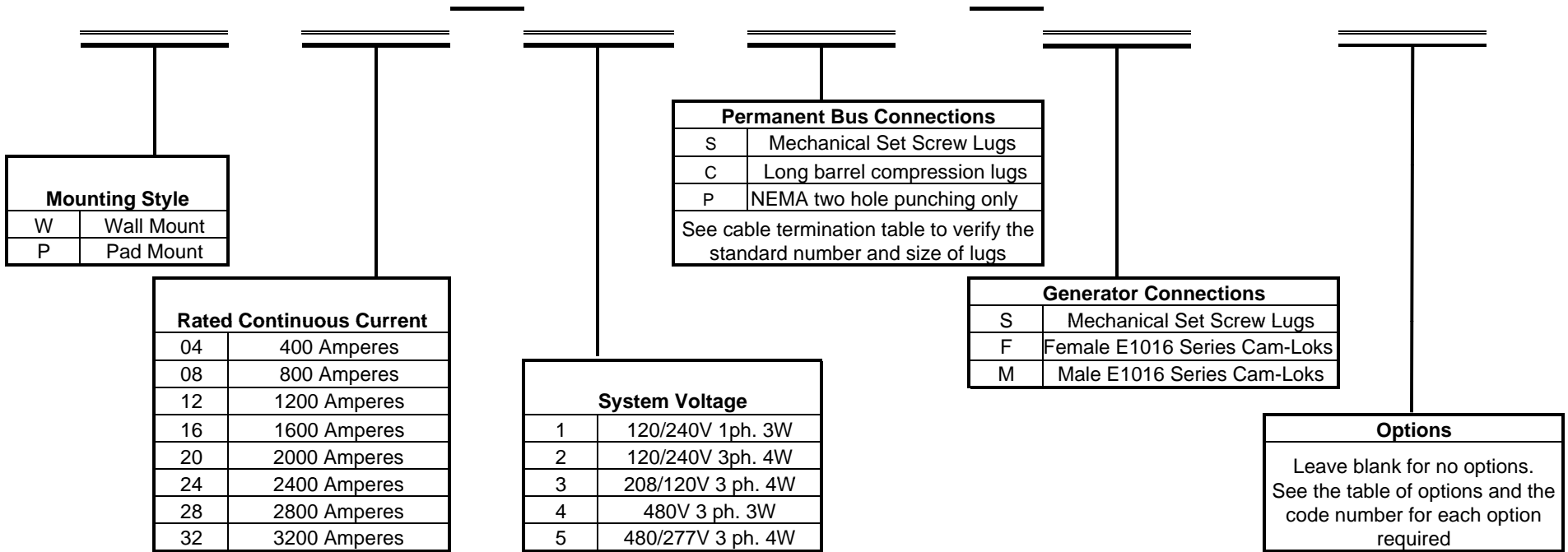


TO ORDER A BERTHOLD ELECTRIC GENERATOR CONNECTION CABINET COMPLETE THE FOLLOWING CATALOG NUMBER



| Mounting Style | |
|----------------|------------|
| W | Wall Mount |
| P | Pad Mount |

| Rated Continuous Current | |
|--------------------------|--------------|
| 04 | 400 Amperes |
| 08 | 800 Amperes |
| 12 | 1200 Amperes |
| 16 | 1600 Amperes |
| 20 | 2000 Amperes |
| 24 | 2400 Amperes |
| 28 | 2800 Amperes |
| 32 | 3200 Amperes |

| System Voltage | |
|----------------|-------------------|
| 1 | 120/240V 1ph. 3W |
| 2 | 120/240V 3ph. 4W |
| 3 | 208/120V 3 ph. 4W |
| 4 | 480V 3 ph. 3W |
| 5 | 480/277V 3 ph. 4W |

| Permanent Bus Connections | |
|--|------------------------------|
| S | Mechanical Set Screw Lugs |
| C | Long barrel compression lugs |
| P | NEMA two hole punching only |
| See cable termination table to verify the standard number and size of lugs | |

| Generator Connections | |
|-----------------------|------------------------------|
| S | Mechanical Set Screw Lugs |
| F | Female E1016 Series Cam-Loks |
| M | Male E1016 Series Cam-Loks |

| Options |
|---|
| Leave blank for no options. See the table of options and the code number for each option required |

Cable Termination Table

| Permanent Feeder Connections -- Mechanical Lugs | |
|---|---|
| Current Range | Cable Range |
| 400A-1200A | 4 - 2AWG to 600 MCM set screw lug positions |
| 1600A-2000A | 6 - 2AWG to 600 MCM set screw lug positions |
| 2000A-3200A | 8 - 2AWG to 600 MCM set screw lug positions |

| Permanent Feeder Connections -- Compression Lugs |
|---|
| Specify quantity and size of lugs or NEMA 2 hole punching |

| Generator Connections |
|---|
| Mechanical Lugs: See table above. |
| Cam-Loks - Quantity provided based on 400A per connector. |

Example: The catalog number for a wall mount 1200A, 480V, 3-phase, 3 wire generator connection cabinet with permanent connections made by long barrel crimp lugs and generator connections made by male cam-Loks with no options is W12-4C-M. Specify quantity and size of lugs.
(Example: 2-500 MCM per Phase and Neutral, 1-3/0 Ground.)

Table of Options and Option Code Numbers

| Available Options | Option Code |
|--|-------------|
| Access panel Interlocking Micro-switches | 1 |
| Key Interlock Provision. Provision only-Customer to supply and install Kirk Key Interlock Model #KDLO-1E or Superior Interlock Model #B-5003-1 | 2 |
| Phase Sequence and Failure Indication | 3 |
| Convenience Outlet Provision | 5 |
| Cam-Lok Snap Covers | 6 |
| Cam-Lok Black Rubber Caps | 7 |
| Welded Construction for Wall Mount | 8W |
| Welded Construction for Pad Mount | 8P |
| Powder Coat Gray Finish | 9 |
| Stainless Steel Construction | 10 |
| Opposite Gender Cam-Lok connectors for user-supplied cables | 11 |
| Pad Mounted (LG) Enclosure (80"H) | 12 |
| 400A KD Frame Circuit Breaker | CB4 |
| 800A MDL Frame Circuit Breaker | CB8 |
| Bolted Pressure Switch (w/copper links) | DS |
| Bolted Pressure Switch (w/class L fuses) | DSF |
| Select the options required and list the option codes in the suffix of the catalog number. | |